

Circular 2D luminaires suitable for surface or semi-recessed mounting

- Spun aluminium body finished full polyester powder coated white as standard (internal and external)
- Silver option
- Opal or high efficiency satin polycarbonate cover versions with a measure of upward light
- Smart versions
- Surface or semi-recessed mounting
- Fitted with 3500K lamp



IP40 TP(a) - recessed

Standard Range

LAMP	CAT. No.	APPROX. kg	CIRCUIT
SMALL VERSION - OPAL COVER			
28W 2D	DOT 10102	1.7	J
LARGE VERSION - OPAL COVER			
28W 2D	DOT 9902	2.2	D-J
38W 2D	DOT 9903	2.2	D-J
LARGE VERSION - SATIN COVER			
28W 2D	DOT 12099	2.2	D-J
38W 2D	DOT 12100	2.2	D-J

Smart Range

LARGE VERSION - OPAL COVER			
38W 2D	DOT 13761	2.3	D
LARGE VERSION - SATIN COVER			
38W 2D	DOT 13762	2.3	D

CIRCUIT - add suffix required:

D - high frequency regulating **J** - high frequency
e.g. DOT 10102J etc.

SILVER OPTION - Add suffix SV3 e.g. DOT 10102JSV3

EMERGENCY VERSION - prefix catalogue number with 'EDT':

AUTOTEST VERSION - prefix catalogue number with 'TDT':

Emergency and AutoTest versions add 0.7kg to weights listed.



Opal Diffuser



High Efficiency Satin Diffuser



Silver

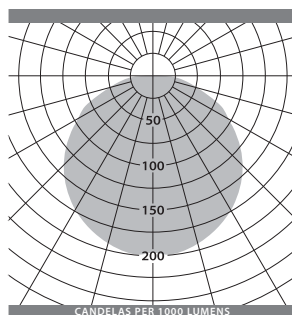


Smart version



Photometric Guide

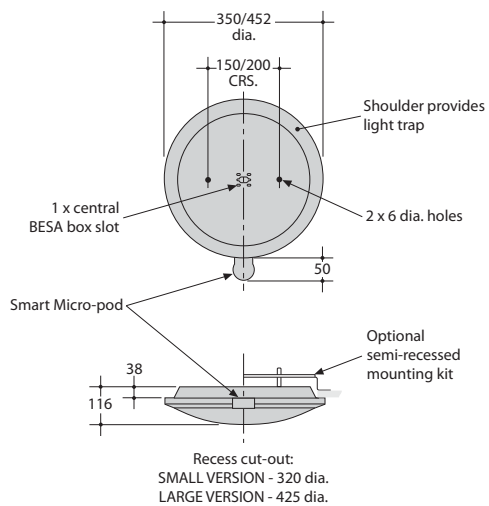
38W 2D LAMP
LARGE SATIN VERSION
D.L.O.R. 62%



FACTORS: 28W SMALL OPAL = 0.79
28W SATIN = 0.98
28W OPAL = 0.71
38W OPAL = 0.69

Accessories

DESCRIPTION	CAT. No.	APPROX. kg
Semi-recessed mounting kit - Small version	DOT 10103	0.27
Semi-recessed mounting kit - Large version	DOT 9917	0.32
Side entry conduit kit - Small version	DOT 11861	0.3
Side entry conduit kit - Large version	DOT 11860	0.37



Backlit 2D circular luminaires with feature glass-like acrylic ring

- Styled to complement Hi-Style range
- Spun aluminium body finished full polyester powder coated white
- Opal or high efficiency satin (see page 27) polycarbonate cover versions
- Smart versions
- Fitted with 3500K lamp

IP40  



Standard Range

LAMP	CAT. No.	APPROX. kg	CIRCUIT
OPAL COVER			
28W 2D	DOT 12439	2.7	J
38W 2D	DOT 12440	2.7	J
SATIN COVER			
28W 2D	DOT 12599	2.7	J
38W 2D	DOT 12600	2.7	J

Smart Range

OPAL COVER			
38W 2D	DOT 13763	2.8	D
SATIN COVER			
38W 2D	DOT 13764	2.8	D

CIRCUIT - add suffix required:
J - high frequency e.g. **DOT 12439J** etc.

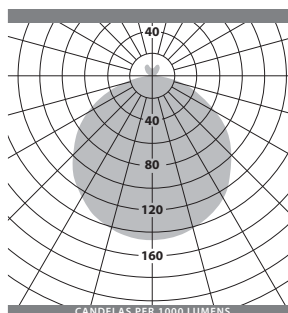
EMERGENCY VERSION - prefix catalogue number with 'EDT'.
AUTOTEST VERSION - prefix catalogue number with 'TDT'.
 Emergency and AutoTest versions add 0.7kg to weights listed.



Smart version

Photometric Guide

38W 2D LAMP
SATIN VERSION
 D.L.O.R. 60%



FACTORS: 28W SATIN = 0.98
 28W OPAL = 0.80
 38W OPAL = 0.80

