

## Low depth luminaires for indoor environments

- Zinc coated steel body and backplate finished white
- Lockable quick-release latch detaches body from backplate for easy access
- Broad or narrow light distribution versions
- Suitable for mounting heights up to 20 metres
- Accessories may be used together in various combinations
- Auxiliary lamp option



IP20  

### Range

LAMP	MANUFACTURER	BROAD DISTRIBUTION VERSION	NARROW DISTRIBUTION VERSION	APPROX. kg
High pressure sodium lamps				
150W SON-T	Any	SW 11661	SW 11666	6.4
250W SON-T	Any	SW 11662	SW 11667	7.9
400W SON-T	Any	SW 11663+	SW 11668+	8.8
Metal halide lamps - compatible with high pressure sodium control gear				
250W MBI-T	Any	SW 11686 ▲	SW 11688 ▲	9.0
250W MBI-T	Any	SW 12641 ■	SW 12645 ■	8.2
Metal halide lamps - compatible with mercury (MBF) control gear and semi-parallel ignitor				
250W MBI-T	P	SW 11664 ▲	SW 11669 ▲	10.1
400W MBI-T	P	SW 11665 ▲	SW 11670 ▲	11.0
250W MBI-T	P	SW 12643 ■	SW 12647 ■	7.0
400W MBI-T	P	SW 12644 ■	SW 12648 ■	7.7

P - Philips (HPIT Plus -UV Reduced)

AUXILIARY LAMP VERSION (250W TH max. ES) - add 'X' after catalogue number e.g. SW 11661X etc.

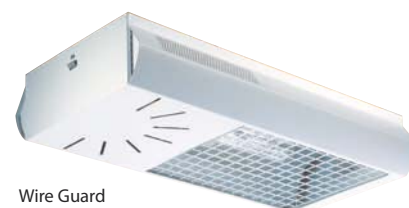
- ▲ Supplied with toughened/safety glass cover
- Supplied with clear polycarbonate cover
- + Not suitable for Metal Halide lamps compatible with high pressure sodium control gear

**IMPORTANT: SON LAMPS WITH INTERNAL STARTERS ARE NOT RECOMMENDED.  
METAL HALIDE LAMPS MUST BE SUITABLE FOR HORIZONTAL OPERATION.**

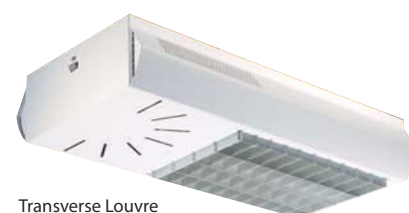
LAMPS MUST BE ORDERED SEPARATELY



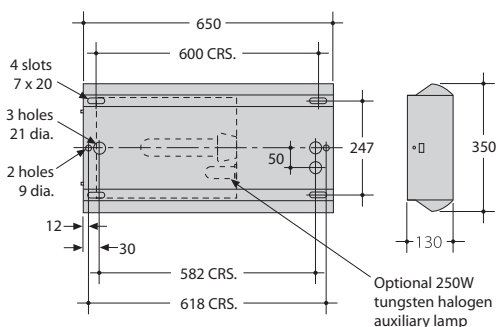
Clear Polycarbonate Cover



Wire Guard



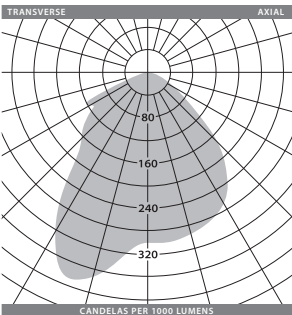
Transverse Louvre



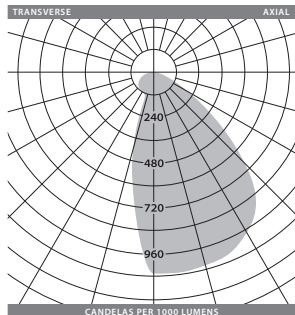


### Photometric Guide

**250W SON-T  
BROAD DISTRIBUTION**  
D.L.O.R. 86% U.L.O.R. 0%



**250W SON-T  
NARROW DISTRIBUTION**  
D.L.O.R. 92% U.L.O.R. 0%



### Accessories

DESCRIPTION	CAT. No.	APPROX. kg
250W tungsten halogen lamp (auxiliary lamp)	<a href="#">LMP 6713</a>	0.07
Kit of 3 spacers for trunking fix	<a href="#">SW 11792</a>	0.22
Clear toughened/safety glass cover	<a href="#">SW 11697</a>	1.13
Clear polycarbonate cover	<a href="#">SW 11695</a>	0.33
Wire guard (white polyester coated)	<a href="#">SW 11696</a>	0.77
Transverse louvre (white polyester coated)	<a href="#">SW 11698</a>	0.34

# Solow Emergency

Low depth HID luminaires for indoor environments with self contained high performance emergency optics



- Zinc coated steel body and backplate finished white
- Lockable quick-release latch detaches body from backplate for easy access
- Broad or narrow light distribution versions
- Emergency and AutoTest versions - supplied with three hour integral sustained 18W TC-L lamp and gear (45% B.L.F.)
- High performance emergency photometrics
- Accessories may be used together in various combinations
- Auxiliary lamp option

IP20  

## Range

LAMP	MANUFACTURER	EMERGENCY BROAD DISTRIBUTION VERSION	EMERGENCY NARROW DISTRIBUTION VERSION	AUTOTEST BROAD DISTRIBUTION VERSION	AUTOTEST NARROW DISTRIBUTION VERSION	APPROX. kg
High pressure sodium lamps						
150W SON-T	Any	ESW 11764	ESW 11771	TSW 11764	TSW 11771	10.8
250W SON-T	Any	ESW 11765	ESW 11772	TSW 11765	TSW 11772	12.3
400W SON-T	Any	ESW 11766 +	ESW 11773 +	TSW 11766 +	TSW 11773 +	13.2
Metal halide lamps - compatible with high pressure sodium control gear						
250W MBI-T	Any	ESW 11769 ▲	ESW 11776 ▲	TSW 11769 ▲	TSW 11776 ▲	13.3
250W MBI-T	Any	ESW 12649 ■	ESW 12653 ■	TSW 12649 ■	TSW 12653 ■	12.5
Metal halide lamps - compatible with mercury (MBF) control gear and semi-parallel ignitor						
250W MBI-T	P	ESW 11767 ▲	ESW 11774 ▲	TSW 11767 ▲	TSW 11774 ▲	12.0
400W MBI-T	P	ESW 11768 ▲	ESW 11775 ▲	TSW 11768 ▲	TSW 11775 ▲	12.9
250W MBI-T	P	ESW 12651 ■	ESW 12655 ■	TSW 12651 ■	TSW 12655 ■	11.2
400W MBI-T	P	ESW 12652 ■	ESW 12656 ■	TSW 12652 ■	TSW 12656 ■	12.1

P - Philips (HPIT Plus -UV Reduced)

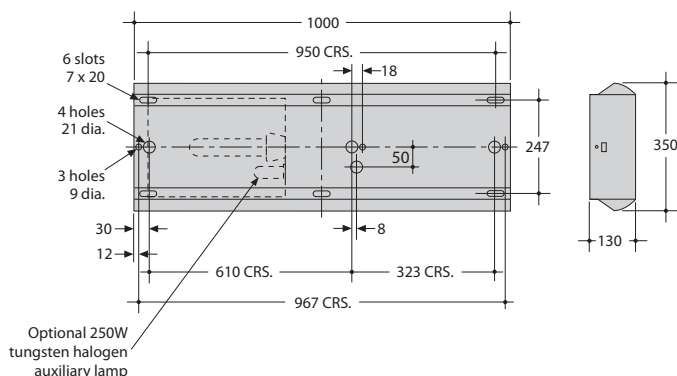
AUXILIARY LAMP VERSION (250W TH max. ES) - add 'X' after catalogue number e.g. ESW 11764X etc.

- ▲ Supplied with toughened/safety glass cover
- Supplied with clear polycarbonate cover
- + Not suitable for Metal Halide lamps compatible with high pressure sodium control gear

**IMPORTANT: SON LAMPS WITH INTERNAL STARTERS ARE NOT RECOMMENDED.  
METAL HALIDE LAMPS MUST BE SUITABLE FOR HORIZONTAL OPERATION.**

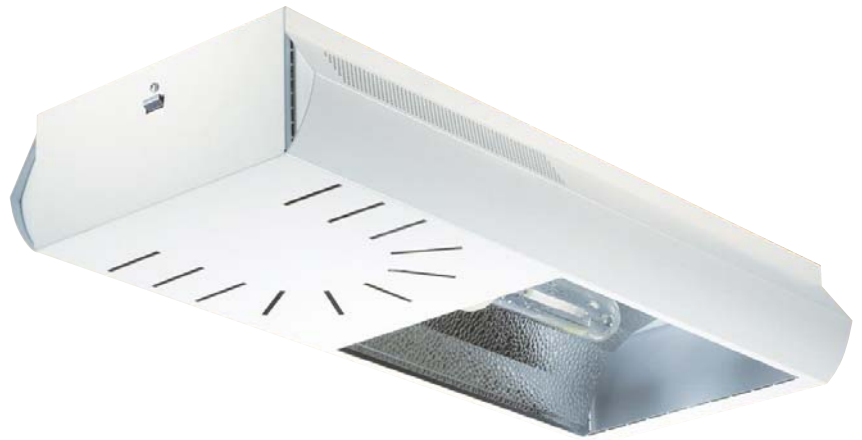
LAMPS MUST BE ORDERED SEPARATELY

**Photometric Guide and Accessories** - see page 10



## Dimmable HID luminaires for daylight linking and maintained illuminance using Eco-Cell<sup>Plus</sup> light sensor

- Up to 60% energy savings
- Dimming from 100% to 20%
- Fade time approximately two minutes
- Automatic compensation for supply voltage fluctuation
- 1-10V control
- Emergency and AutoTest versions - supplied with three hour integral sustained 18W TC-L lamp and gear (45% B.L.F.) - see page 12 for illustration
- Accessories may be used together in various combinations
- Auxiliary lamp option



IP20  

### Range

LAMP	MANUFACTURER	BROAD DISTRIBUTION VERSION	NARROW DISTRIBUTION VERSION	APPROX. kg
<b>MAINS</b>				
High pressure sodium lamps				
250W SON-T	Any	SW 11760	SW 11762	10.5
400W SON-T	Any	SW 11761	SW 11763	11.4
<b>EMERGENCY</b>				
High pressure sodium lamps				
250W SON-T	Any	ESW 11778	ESW 11780	13.9
400W SON-T	Any	ESW 11779	ESW 11781	14.8



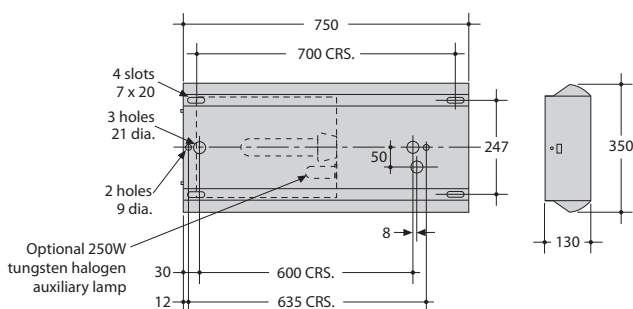
Eco-Cell<sup>Plus</sup> light sensor - PE 9715 - will control up to 150 Solow Powerdim luminaires.

**AUXILIARY LAMP VERSION (250W TH max. ES)** - add 'X' after catalogue number e.g. SW 11760X etc.  
**AUTOTEST VERSION** - prefix emergency catalogue number with 'TSW'.

**IMPORTANT: DO NOT USE LAMPS WITH AN INTERNAL STARTING DEVICE.**

LAMPS MUST BE ORDERED SEPARATELY

### Photometric Guide and Accessories - see page 10



SEE PAGE 12 FOR EMERGENCY VERSION DIMENSIONS